



These instructions can be found in color and expandable at QA1.net

Technical Support Line: (952) 985-5675 Email: sales@QA1.net

INSTALLATION INSTRUCTIONS

*1997-2004 Chevrolet Corvette (except Z06) Front Coil-Over Kit
QA1 P/N GD402-09450, GD402-09550 GD402-09650, GD402*

READ ALL INSTRUCTIONS CAREFULLY AND THOROUGHLY PRIOR TO STARTING INSTALLATION. PRODUCTS THAT HAVE BEEN INSTALLED ARE NOT ELIGIBLE FOR RETURN. USE THE PROPER JACKING LOCATIONS. DEATH OR SERIOUS INJURY CAN RESULT IF INSTRUCTIONS ARE NOT CORRECTLY FOLLOWED. A GOOD CHASSIS MANUAL, AVAILABLE AT YOUR LOCAL PARTS STORE, MAY ALSO AID IN YOUR INSTALLATION.

• DISCLAIMER / WARRANTY •

QA1 WARRANTS THAT THE PRODUCTS WILL BE FREE FROM DEFECTS IN MATERIAL AND WORKMANSHIP FOR ONE YEAR FROM DATE OF SALE TO THE ORIGINAL PURCHASER. QA1 MAKES NO OTHER WARRANTY OF ANY KIND, EXPRESS OR IMPLIED. QA1 SHALL HAVE NO OBLIGATION UNDER THE FOREGOING WARRANTY WHERE THE DEFECT IS THE RESULT OF IMPROPER OR ABNORMAL USE, YOUR NEGLIGENCE, VEHICLE ACCIDENT, IMPROPER OR INCORRECT INSTALLATION OR MAINTENANCE, NOR WHEN THE PRODUCT HAS BEEN REPAIRED OR ALTERED IN ANY WAY. QA1'S LIABILITY IN THE CASE OF DEFECTIVE PRODUCTS SUBJECT TO THE FOREGOING WARRANTY SHALL BE LIMITED TO THE REPAIR OR REPLACEMENT, AT QA1'S OPTION, OF THE DEFECTIVE PRODUCTS.

THE USER UNDERSTANDS AND RECOGNIZES THAT RACING PARTS, SPECIALIZED STREET ROD EQUIPMENT, AND ALL PARTS AND SERVICES SOLD BY QA1 ARE EXPOSED TO MANY AND VARIED CONDITIONS DUE TO THE MANNER IN WHICH THEY ARE INSTALLED AND USED. QA1 SHALL BEAR NO LIABILITY FOR ANY LOSS, DAMAGE OR INJURY, EITHER TO A PERSON OR TO PROPERTY, RESULTING FROM THE INSTALLATION, DIRECT OR INDIRECT USE OF ANY QA1 PRODUCTS OR INABILITY BY THE BUYER TO DETERMINE PROPER USE OR APPLICATION OF QA1 PRODUCTS. WITH THE EXCEPTION OF THE LIMITED LIABILITY WARRANTY SET FORTH ABOVE, QA1 SHALL NOT BE LIABLE FOR ANY CLAIMS, DEMANDS, INJURIES, DAMAGES, ACTIONS, OR CAUSES OF ACTION WHATSOEVER TO BUYER ARISING OUT OF OR CONNECTED WITH THE USE OF ANY QA1 PRODUCTS. MOTORSPORTS ARE DANGEROUS; AS SUCH, NO WARRANTY OR REPRESENTATION IS MADE AS TO THE PRODUCT'S ABILITY TO PROTECT THE USER FROM INJURY OR DEATH. THE USER ASSUMES THAT RISK!

TOOLS AND SUPPLIES REQUIRED

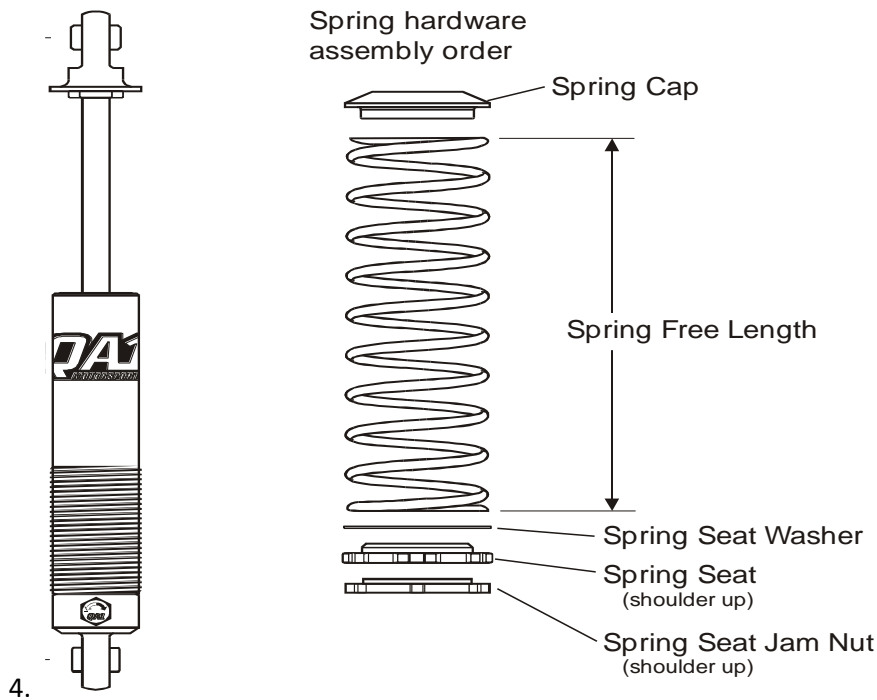
- Floor Jack
- Jack Stands
- Metric Wrench Set
- Metric Socket Set
- Spanner Wrench (QA1 P/N T114W)
- Permatex® Anti-Seize Lubricant

DO NOT VOID YOUR WARRANTY!

Permatex® Anti-Seize Lubricant should be used on coil-over threads to prevent galling. Failure to lubricate the coil-over threads with Anti-Seize prior to making ride height adjustments will cause damage to your shock absorber and will void any warranty. All ride height adjustments must be made with the vehicle weight completely unloaded from the suspension. Please call QA1 Technical Support with any questions.

Shock Assembly

1. Holding the shock as shown in Figure 1, screw the aluminum lock nut (shoulder up) and the spring seat adjuster nut (shoulder up) up to the last thread - NO FURTHER. Now is a good time to lubricate the threads of the shock with **Permatex® Anti-Seize lubricant**.
2. Coat the stainless steel spring seat washer with **Permatex® Anti-Seize lubricant**. Place the lubricated side of the washer on the spring seat.
3. With the piston rod fully extended, slide the spring over the shock to the spring seat adjuster and install the spring cap.



Installation Instructions

1. Measure and record the vehicle ride height at the center of the front wheel opening for later reference.
2. Raise and support the vehicle with jack stands on a stable surface. Refer to the owner's manual for proper jacking locations.
3. Remove the front wheels from the vehicle.
4. With the rear suspension at full droop, remove the factory shocks from the car.
5. Install the upper stud mount into the factory upper shock mount.
6. Install the T-Bar on the lower control arm.
7. Start ride height adjustments with the spring seat adjusted up approximately 1 ½" up on the shocks body.
8. Repeat steps one through seven on the other side of the car.
9. With both front coil-over shocks installed, remove the transverse leaf spring.
10. Reinstall the wheels and tighten lug nuts to the factory specification.
11. Make all ride height changes with the car off the ground and the suspension unloaded. Apply **Permatex® Anti-Seize lubricant** before making any adjustments to the ride height. Moving the spring seat adjuster towards the spring will raise the car and moving the spring seat adjuster away from the spring will lower the car. Once you have the ride height set, tighten the lock nut against the spring seat adjuster using QA1 Spanner Wrench set T114W or T115W.

Note: A four wheel alignment should be performed by a qualified alignment shop after any changes to the suspension system.

Front Shock Valving Adjustments

QA1 shocks have 18 damping settings per knob. There are 6 clicks per revolution of each knob, and each knob has 3 complete revolutions. The knob set fully counter clockwise is the softest setting - start your adjustments from that point. Recommended base settings to begin testing with are as follows:

Shocks with two adjuster knobs:	Compression	Rebound
Drag Racing:	12-16 clicks	0-6 clicks
Nice ride and handling:	0-6 clicks	2-8 clicks
Firm ride & improved handling:	6-12 clicks	8-14 clicks
Aggressive handling:	12-16 clicks	14-18 clicks

Dedicated Technical Support Team

QA1 is dedicated to providing quality support and instructions. We employ passionate racers and car enthusiasts that know our products and the industry to better serve you.

Check out our tech videos at www.YouTube.com/QA1Tech for:

- Frequently Asked Questions
- Quick Tips
- Install Information
- Tuning and Repair Guides
- Other technical information

Or call to speak with one of our experts: 1.800.721.7761

*Our technical support and order lines are open Monday - Friday, 8 am to 5 pm CST.



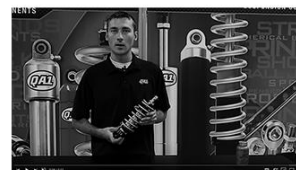
[Facebook.com/QA1Motorsports](https://www.facebook.com/QA1Motorsports)



[Twitter.com/QA1Motorsports](https://twitter.com/QA1Motorsports)



[Instagram.com/QA1Motorsports](https://www.instagram.com/QA1Motorsports)



www.QA1.net/Tech