



**DON'T FORGET**

These instructions can be found in color and expandable at QA1.net

Technical Support Line: (952) 985-5675 Email: sales@QA1.net

**INSTALLATION INSTRUCTIONS**

*QA1 P/N 9039-270 Emergency Brake Cable Mounts for use with QA1 Truck Arms '63-'72 Chevrolet C10, GMC C15/C1500 Pickup with QA1 Rear Suspension*

READ ALL INSTRUCTIONS CAREFULLY AND THOROUGHLY PRIOR TO STARTING INSTALLATION. PRODUCTS THAT HAVE BEEN INSTALLED ARE NOT ELIGIBLE FOR RETURN. USE THE PROPER JACKING LOCATIONS. DEATH OR SERIOUS INJURY CAN RESULT IF INSTRUCTIONS ARE NOT CORRECTLY FOLLOWED. A GOOD CHASSIS MANUAL, AVAILABLE AT YOUR LOCAL PARTS STORE, MAY ALSO AID IN YOUR INSTALLATION.

**• DISCLAIMER / WARRANTY •**

QA1 WARRANTS THAT THE PRODUCTS WILL BE FREE FROM DEFECTS IN MATERIAL AND WORKMANSHIP FOR ONE YEAR FROM DATE OF SALE TO THE ORIGINAL PURCHASER. QA1 MAKES NO OTHER WARRANTY OF ANY KIND, EXPRESS OR IMPLIED. QA1 SHALL HAVE NO OBLIGATION UNDER THE FOREGOING WARRANTY WHERE THE DEFECT IS THE RESULT OF IMPROPER OR ABNORMAL USE, YOUR NEGLIGENCE, VEHICLE ACCIDENT, IMPROPER OR INCORRECT INSTALLATION OR MAINTENANCE, NOR WHEN THE PRODUCT HAS BEEN REPAIRED OR ALTERED IN ANY WAY. QA1'S LIABILITY IN THE CASE OF DEFECTIVE PRODUCTS SUBJECT TO THE FOREGOING WARRANTY SHALL BE LIMITED TO THE REPAIR OR REPLACEMENT, AT QA1'S OPTION, OF THE DEFECTIVE PRODUCTS.

THE USER UNDERSTANDS AND RECOGNIZES THAT RACING PARTS, SPECIALIZED STREET ROD EQUIPMENT, AND ALL PARTS AND SERVICES SOLD BY QA1 ARE EXPOSED TO MANY AND VARIED CONDITIONS DUE TO THE MANNER IN WHICH THEY ARE INSTALLED AND USED. QA1 SHALL BEAR NO LIABILITY FOR ANY LOSS, DAMAGE OR INJURY, EITHER TO A PERSON OR TO PROPERTY, RESULTING FROM THE INSTALLATION, DIRECT OR INDIRECT USE OF ANY QA1 PRODUCTS OR INABILITY BY THE BUYER TO DETERMINE PROPER USE OR APPLICATION OF QA1 PRODUCTS. WITH THE EXCEPTION OF THE LIMITED LIABILITY WARRANTY SET FORTH ABOVE, QA1 SHALL NOT BE LIABLE FOR ANY CLAIMS, DEMANDS, INJURIES, DAMAGES, ACTIONS, OR CAUSES OF ACTION WHATSOEVER TO BUYER ARISING OUT OF OR CONNECTED WITH THE USE OF ANY QA1 PRODUCTS. MOTORSPORTS ARE DANGEROUS; AS SUCH, NO WARRANTY OR REPRESENTATION IS MADE AS TO THE PRODUCT'S ABILITY TO PROTECT THE USER FROM INJURY OR DEATH. THE USER ASSUMES THAT RISK!

**TOOLS AND SUPPLIES REQUIRED**

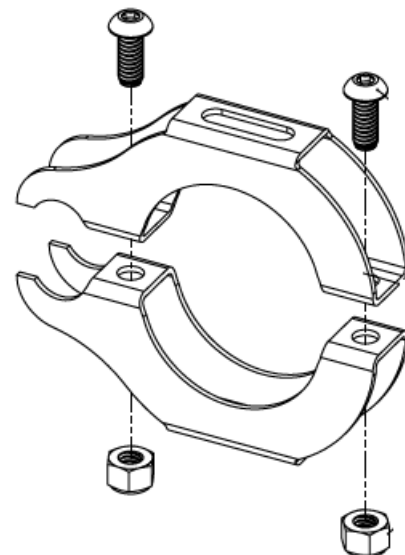
- Floor Jack
- SAE Wrench Set
- Ratchet & SAE Socket Set
- Four (4) Jack Stands

**Pre-Installation Note**

9039-270 Emergency Cable Bracket Kit is designed to be used with QA1 C10 Truck arms and OE emergency cables.

**Installation Instructions**

1. Raise and support the vehicle on a stable surface.
2. Hold the cable up to the truck arm to find the approximate location for the brackets to mount.
3. Loosely install the brackets on the truck arm as they will need to be adjusted slightly to line up with the cable.
4. Insert the leading edge of the cable into the rear opening and install the OE retaining clip.
5. Position the clamp so the brake cable is out of the way of any moving components and tighten the bolts.



**SINGLE ASSEMBLY SHOWN, 2 ASSEMBLIES INCLUDED PER KIT**

6. Repeat on the other truck arm and test the emergency brakes. Remember, the cables may be rusted and your brakes may be stuck applied. If the emergency brakes were not trusted before the suspension change they will not have gotten better.



View looking towards rear of truck.

## Dedicated Technical Support Team

QA1 is dedicated to providing quality support and instructions. We employ passionate racers and car enthusiasts that know our products and the industry to better serve you.

Check out our tech videos at [www.YouTube.com/QA1Tech](http://www.YouTube.com/QA1Tech) for:

- Frequently Asked Questions
- Quick Tips
- Install Information
- Tuning and Repair Guides
- Other technical information

Or call to speak with one of our experts: 1.800.721.7761

\*Our technical support and order lines are open Monday - Friday, 8 am to 5 pm CST.



[Facebook.com/QA1Motorsports](https://www.facebook.com/QA1Motorsports)



[Twitter.com/QA1Motorsports](https://twitter.com/QA1Motorsports)



[Instagram.com/QA1Motorsports](https://www.instagram.com/QA1Motorsports)



[www.QA1.net/Tech](http://www.QA1.net/Tech)